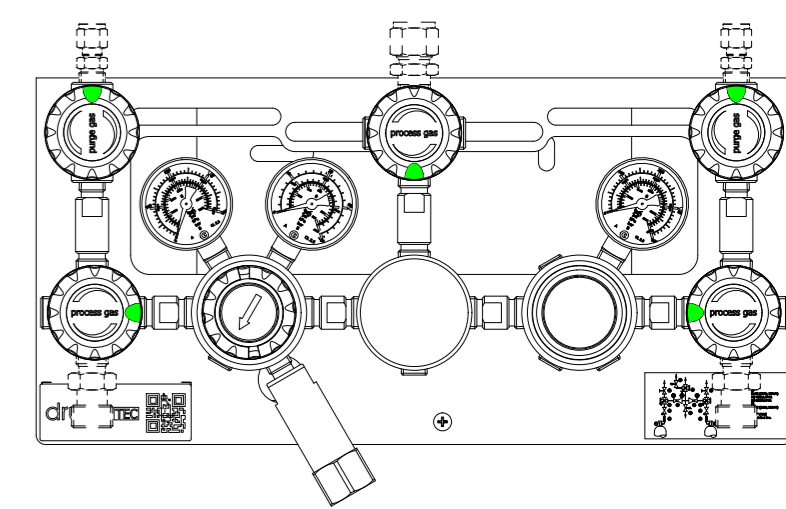
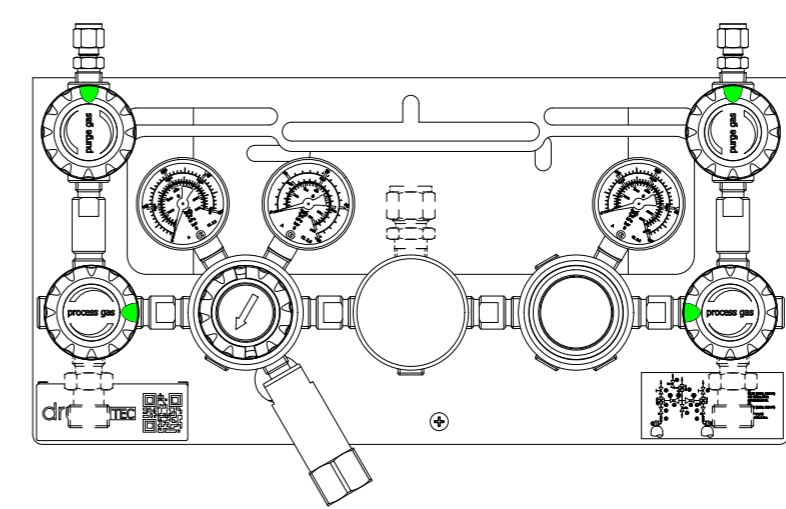


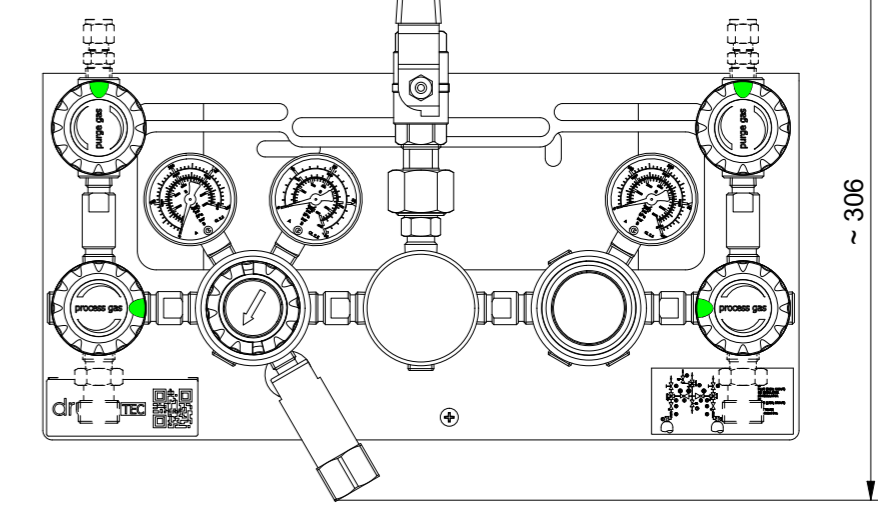
STANDARD VERSIONS OVERVIEW  
OVERVIEW OF ADDITIONAL VERSIONS - SHEET NO. 2

OPTION - P0 / SPECIAL - 0

OPTION - PS / SPECIAL - 0



OPTION - PB / SPECIAL - 0



### ORDERING INFORMATION

MTMHES S PX X XX XX XX XX XXXX XXXX XXXX

**STAGES:**  
S - SINGLE STAGE

**OPTIONS:**  
P0 - HP GAS PURGE + LP WITHOUT  
PS - HP GAS PURGE + LP SHUT-OFF VALVE  
PB - HP GAS PURGE + LP BALL VALVE

**SPECIALS:**  
0 - WITHOUT  
C - CHECK VLV  
F - SAFETY DEV. FLAM.  
G - CHECK VLV + SAFETY DEV. FLAM.  
H - CHECK VLV + SAFETY VLV + SAFETY DEV. FLAM.  
N - SAFETY DEV. OXY/AIR  
P - CHECK VLV + SAFETY DEV. OXY/AIR  
Q - CHECK VLV + SAFETY VALVE + SAFETY DEV. OXY/AIR  
S - SAFETY VLV  
U - CHECK VLV + SAFETY VLV  
Y - SAFETY DEV. FLAM. + SAFETY VLV  
Z - SAFETY DEV. OXY/AIR + SAFETY VLV

**INLET PRESSURE:**  
F4 - 60 BAR  
FX - 200 BAR  
GX - 300 BAR

**OUTLET PRESSURE:**  
D2 - 10 BAR  
E2 - 20 BAR  
E1 - 40 BAR  
F2 - 100 BAR

**PURGE CONNECTION:**  
N14F - NPT1/4" FEMALE  
MORE VERSIONS ON LIST OF CONN.

**PROCESS OUTLET CONNECTION:**  
N38F - NPT3/8" FEMALE  
MORE VERSIONS ON LIST OF CONNECTIONS

**PROCESS INLET CONNECTION:**  
N38F - NPT3/8" FEMALE  
E2MR - G3/8" MALE EN 560 RIGHT HAND  
W2ML - WHITWORTH 21.8X1/4 MALE LEFT HAND  
W2MR - WHITWORTH 21.8X1/4 MALE RIGHT HAND

**OUTLET GAUGE TYPE:**  
BT - BOURDON TUBE  
I2 - INDUCTIVE CONTACT I2  
R2 - REED CONTACT R2  
I1 - INDUCTIVE CONTACT I1  
R5 - REED CONTACT R5

**INLET GAUGE TYPE:**  
BT - BOURDON TUBE  
I1 - INDUCTIVE CONTACT I1  
R5 - REED CONTACT R5

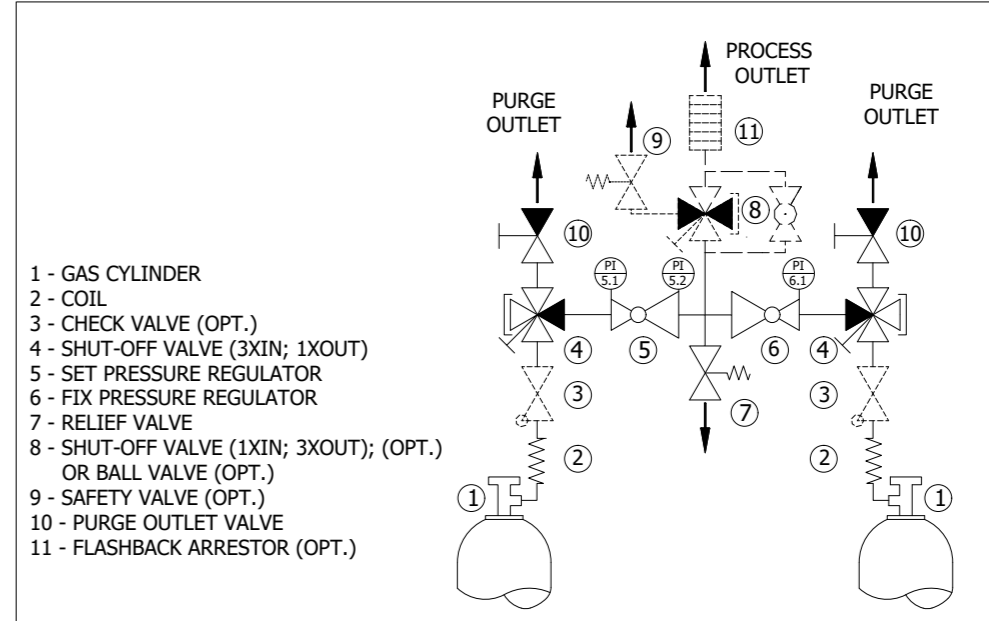
**LIST OF PROCESS OUTLET CONNECTIONS**

- N38F - NPT3/8" FEMALE
- G12F - G1/2" FEMALE
- M12B - COMPRESSION FITTING 12MM BRASS
- M15B - COMPRESSION FITTING 15MM BRASS
- M18B - COMPRESSION FITTING 18MM BRASS
- M12S - COMPRESSION FITTING 12MM SS
- M15S - COMPRESSION FITTING 15MM SS
- M18S - COMPRESSION FITTING 18MM SS
- M25S - COMPRESSION FITTING 25MM SS
- IX8B - COMPRESSION FITTING 1/2" BRASS
- I10B - COMPRESSION FITTING 5/8" BRASS
- I12B - COMPRESSION FITTING 3/4" BRASS
- I14B - COMPRESSION FITTING 7/8" BRASS
- IX8S - COMPRESSION FITTING 1/2" SS
- I12S - COMPRESSION FITTING 3/4" SS
- I16S - COMPRESSION FITTING 1" SS

**LIST OF PURGE CONNECTIONS**

- N14F - NPT1/4" FEMALE
- M06B - COMPRESSION FITTING 6MM BRASS
- M08B - COMPRESSION FITTING 8MM BRASS
- M10B - COMPRESSION FITTING 10MM BRASS
- M12B - COMPRESSION FITTING 12MM BRASS
- M06S - COMPRESSION FITTING 6MM SS
- M08S - COMPRESSION FITTING 8MM SS
- M10S - COMPRESSION FITTING 10MM SS
- M12S - COMPRESSION FITTING 12MM SS
- IX4B - COMPRESSION FITTING 1/4" BRASS
- IX6B - COMPRESSION FITTING 3/8" BRASS
- IX8B - COMPRESSION FITTING 1/2" BRASS
- IX4S - COMPRESSION FITTING 1/4" SS
- IX6S - COMPRESSION FITTING 3/8" SS
- IX8S - COMPRESSION FITTING 1/2" SS

AVAILABILITY OF BRASS FITTINGS DEPENDING ON PRESSURE AND SIZE.  
PAY ATTENTION TO THE MAXIMUM APPROVED PRESSURE OF YOUR PIPEWORK



**TECHNICAL SPECIFICATION**

**MATERIAL OF GAS WETTED PARTS:**  
REGULATOR BODY: BRASS (CW614N)  
REGULATOR DIAPHRAGM: HASTELLOY (C276)  
REGULATOR SEAL: PVDF  
REGULATOR SEAT: PCTFE  
REGULATOR POPPET: BRASS (CW614N)  
RELIEF VALVE SEAT: EPDM  
SAFETY VALVE SEAT: EPDM  
SAFETY VALVE OUTLET CONN. NPT1/2"F

**INLET PRESSURE: MAX.300 BAR**  
**FLOW NOMINAL: 100 Nm<sup>3</sup>/h (N<sub>2</sub>)**  
**ACC. TO ISO 7291 AT 20 BAR OUT**

**GAS TYPE**  
DEFINED BY PRODUCT LINE AND TYPE  
(CHECK APPROVED GAS TYPE IN DATASHEET)

**TEC LINE:**  
NON-CORROSIVE GASES  
NON-TOXIC GASES

Polotovar Raw material	Rozměr polotovaru Dim. of raw material	Povrchová úprava Surface finish	Hmotnost Weight
Material	Material	Starý výkres Old drawing	10,50 kg
Komentář Notice	Opracování / Machining	Kritický rozměr značen Critical dimension marked	1/3
Datum vypracování Creation date	Ra	ISO 2768 m,K	
Vypracoval Created	Chadim	Měřítko / Scale	
Kontroloval Inspected	Lubos Ondracek		
Schválil Approved	Dr. Th. Kuester		
Klasifikace Item Class	B: Standard		

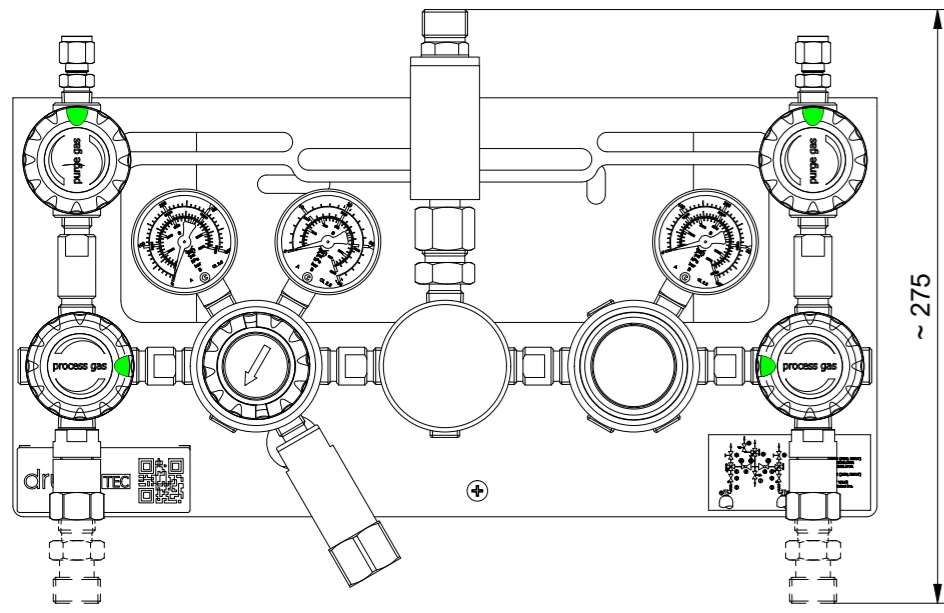


**MANIFOLD TEC-LINE MID FLOW HE**  
**MAN TEC 100Q HE 2SEMI SGL PROPURGE**

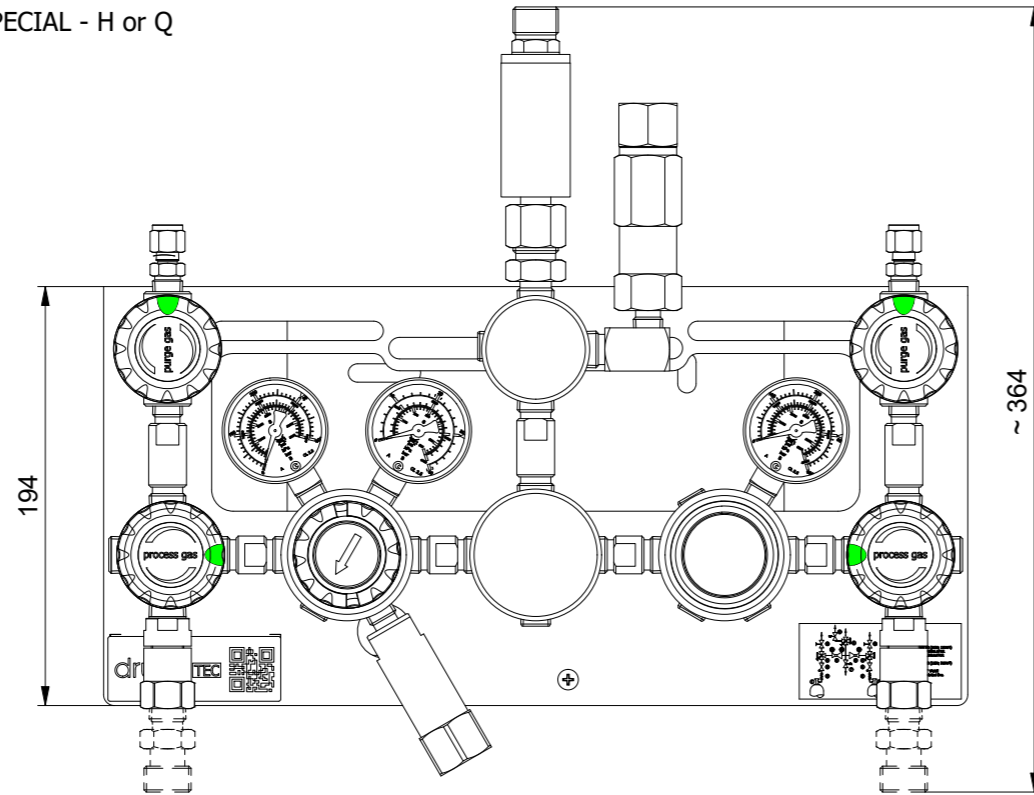


EXAMPLE: MTMHESPSP0GXEZBTBTN38FM12SM06S

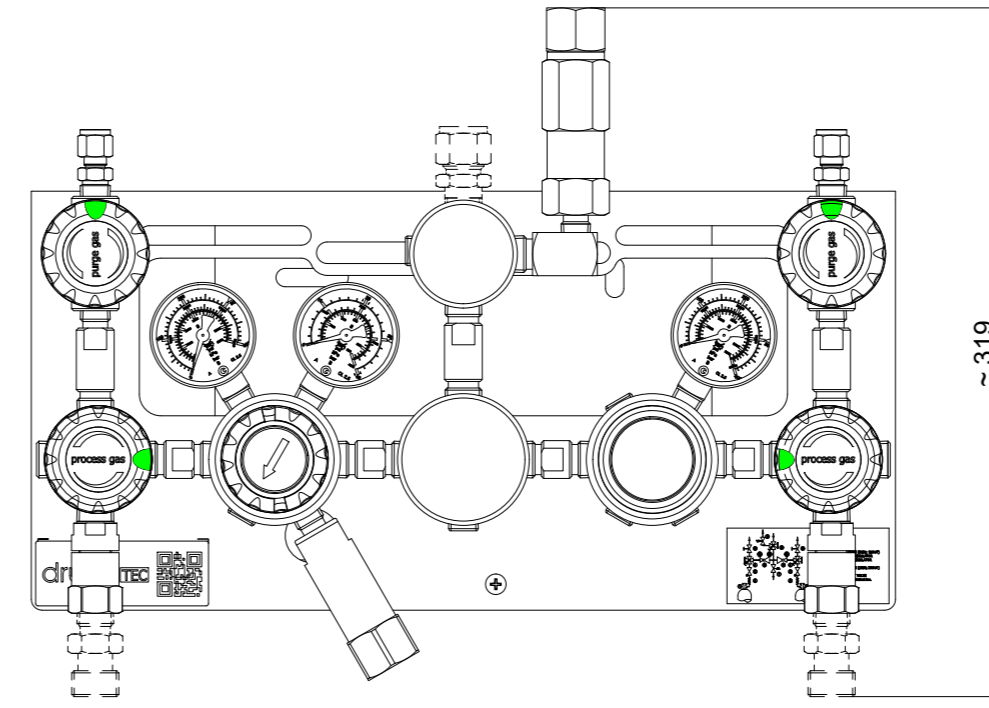
OPTION - P0 / SPECIAL - G or P



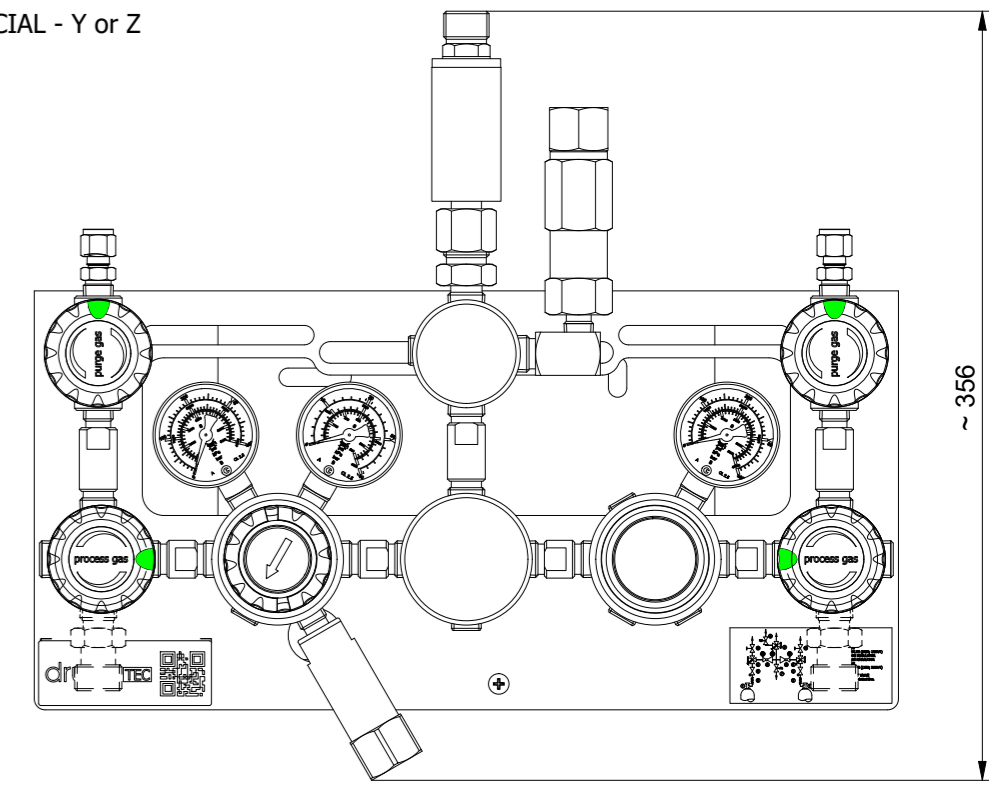
OPTION - P0 / SPECIAL - H or Q



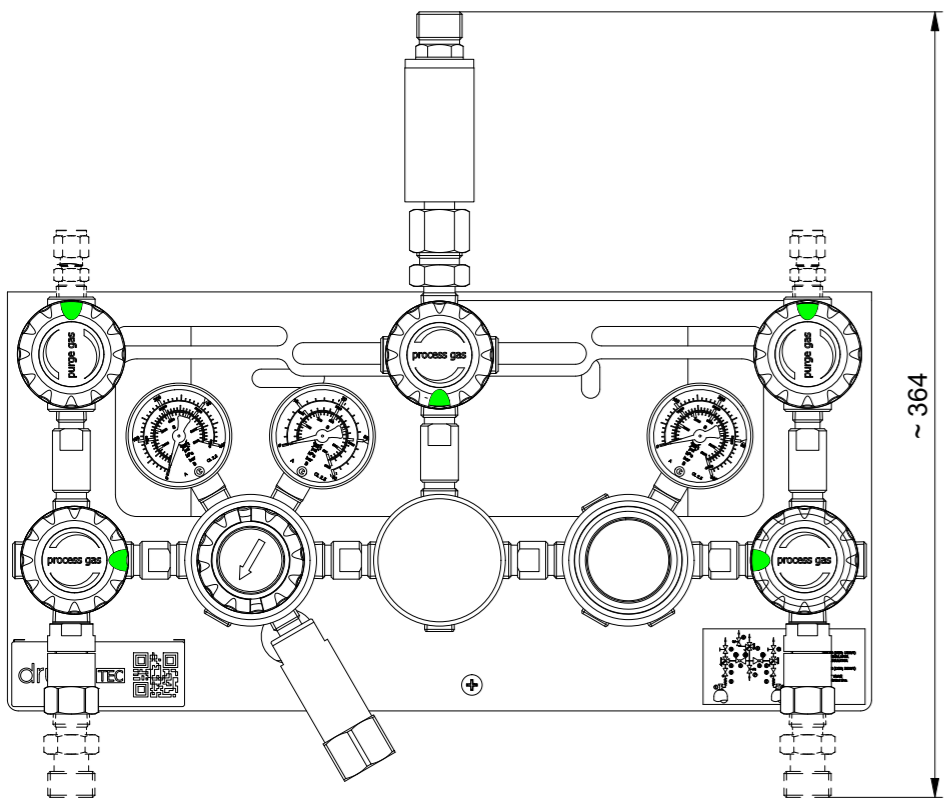
OPTION - P0 / SPECIAL - U



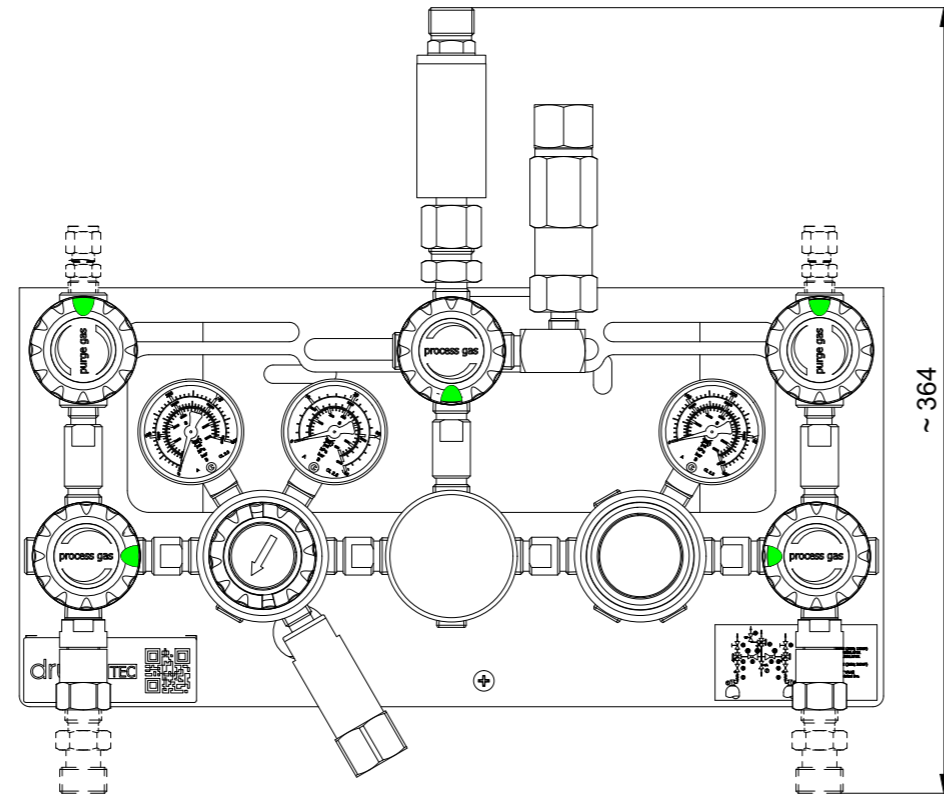
OPTION - P0 / SPECIAL - Y or Z



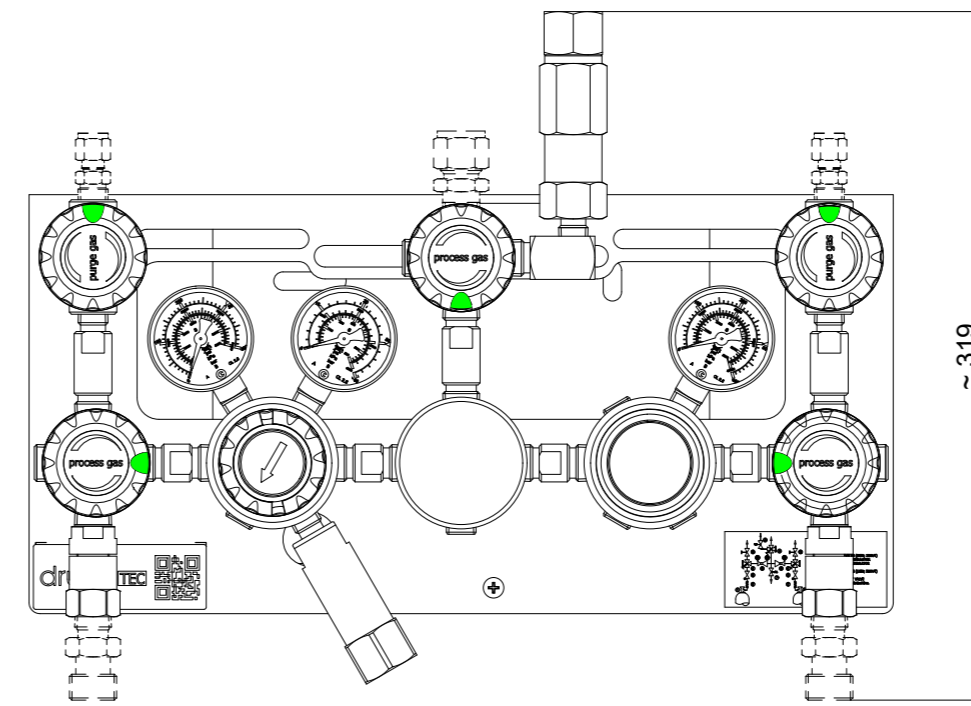
OPTION - PS / SPECIAL - G or P



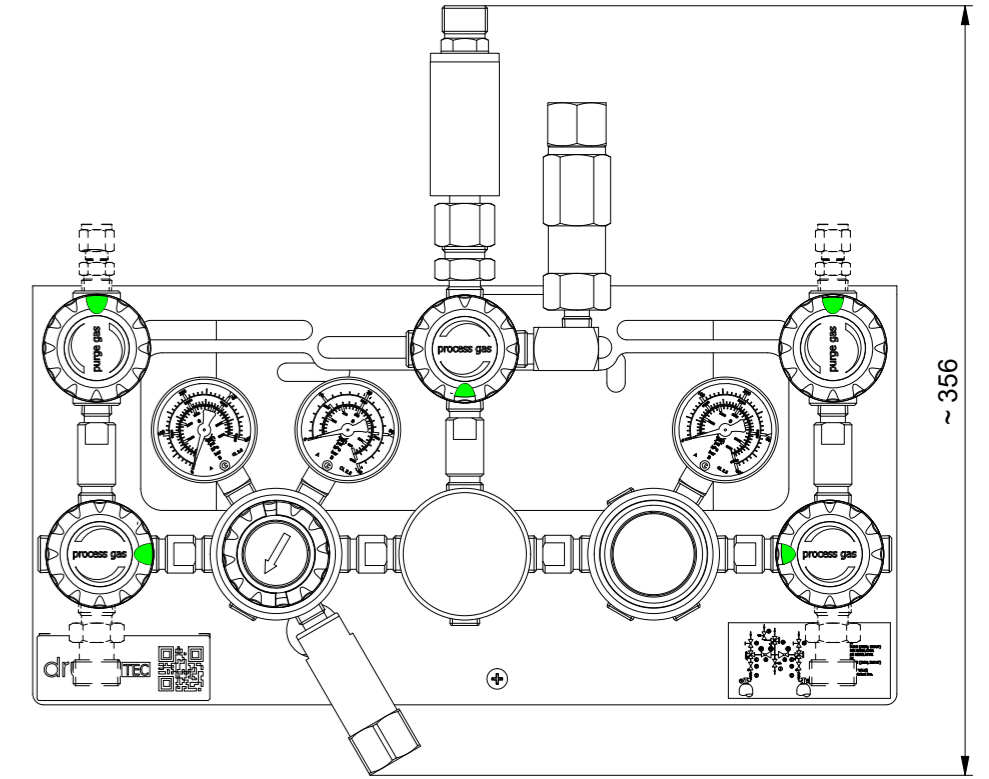
OPTION - PS / SPECIAL - H or Q



OPTION - PS / SPECIAL - U



OPTION - PS / SPECIAL - Y or Z



OPTION - PB / SPECIAL - H or Q

NOT AVAILABLE

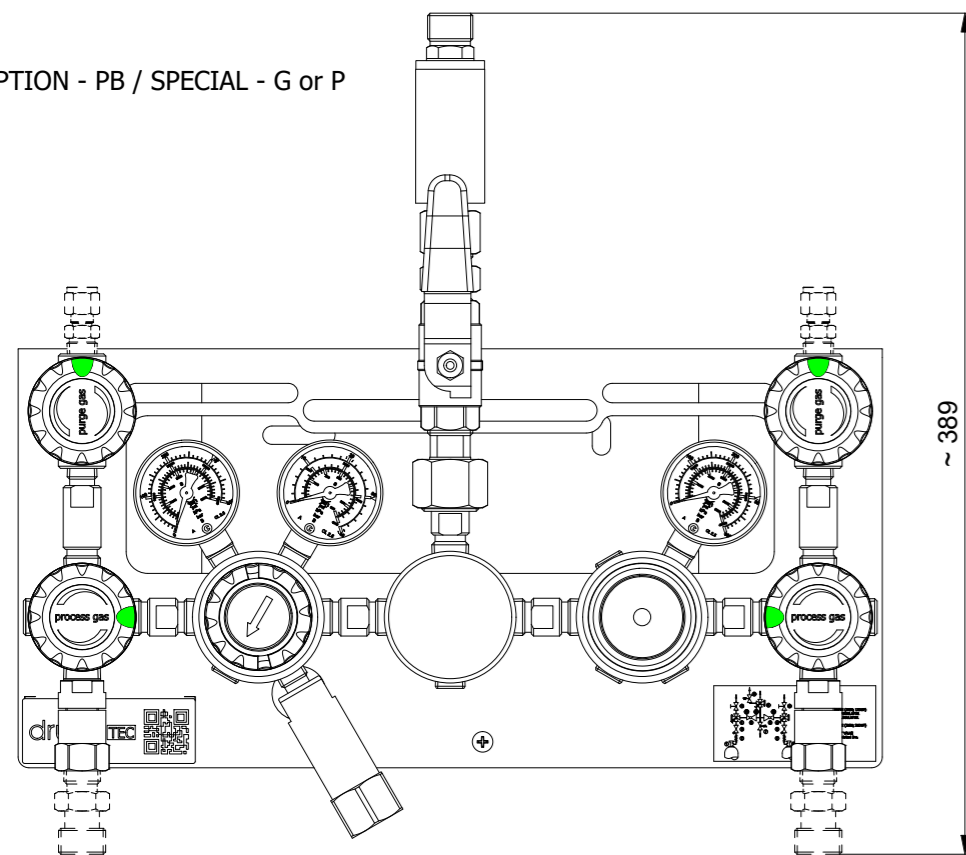
OPTION - PB / SPECIAL - U

NOT AVAILABLE

OPTION - PB / SPECIAL - Y or Z

NOT AVAILABLE

OPTION - PB / SPECIAL - G or P



Polotovar Raw material Materiál Material	Rozměr polotovaru Dim. of raw material Materiál Material	Povrchová úprava Surface finish Starý výkres Old drawing	Hmotnost Weight List / Počet listů Sheet / Number of sheets 2 / 3
Datum vypracování Creation date 9.2.2021 Vytvořitel Created Chadim Kontroloval Inspected L. Ondráček Schválil Approved Dr. Th. Kuester Klasifikace Item Class B: Standard	Opracování / Machining Ra Měřítko / Scale 1:3,5	Kritický rozměr značen KR Critical dimension marked Netto rozměry / Dim. without tol. ISO 2768 m,K -0,1 -0,3 +0,3 +0,1	MANIFOLD TEC-LINE MID FLOW HE MAN TEC 100QM HE 2SEMI SGL PROPURGE ECE MTMHESP